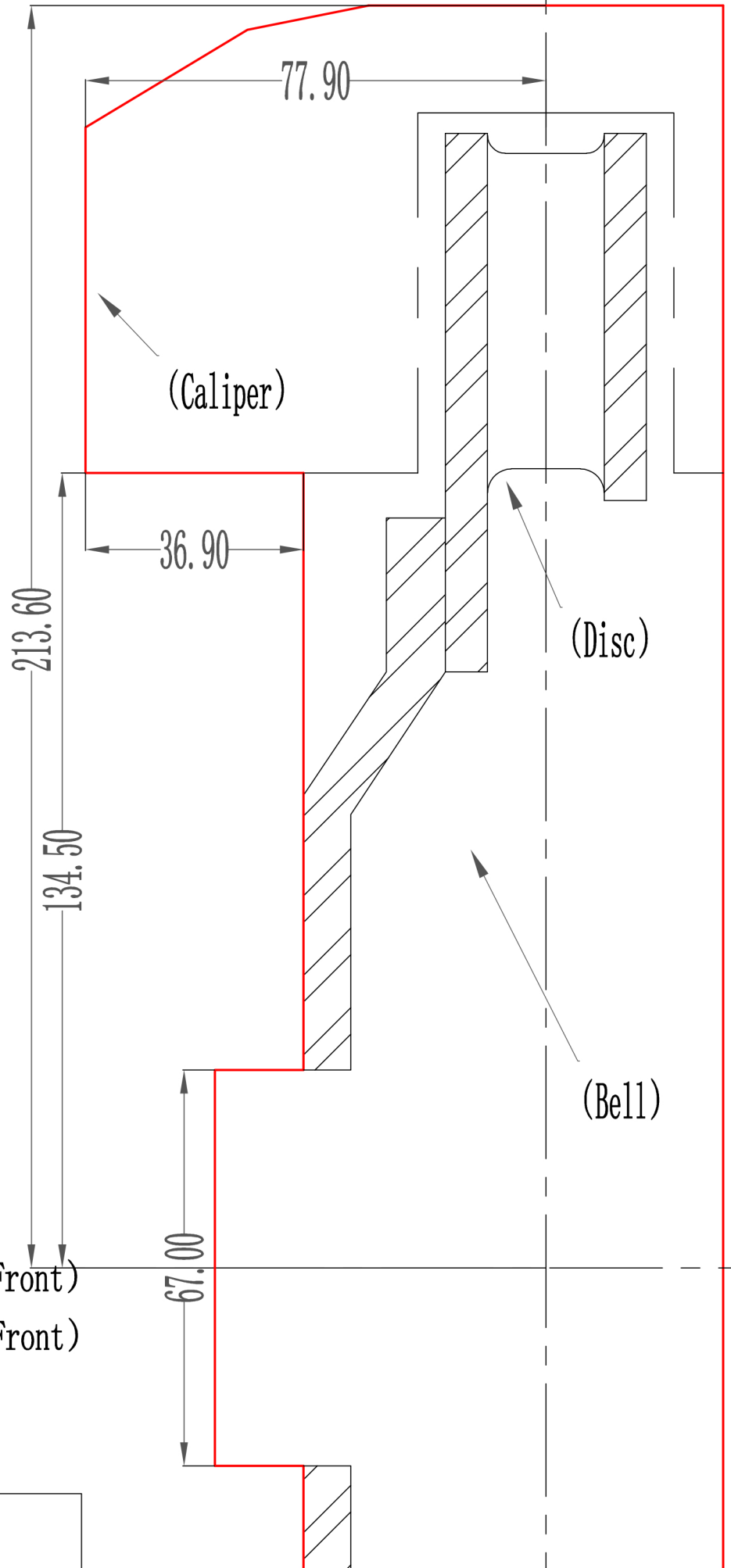


Notes:

- 1, This outline is the net dimension of the brake system. Gusto recommends adding 3mm of clearance to these dimensions.
- 2, Please print according to 1:1 ratio.
- 3, Please cut along the outer contour (red line) and paste it on the cardboard.



Type: BMW 3 Series-G20 (Front)

BMW 5 Series-G30 (Front)

Caliper: CAR97

Disc: 380X32

(Brake System Crossection)
(Number) : CAR97-G20\G30-38032PF
(Unit) : mm