

Shock Cover Size Guide

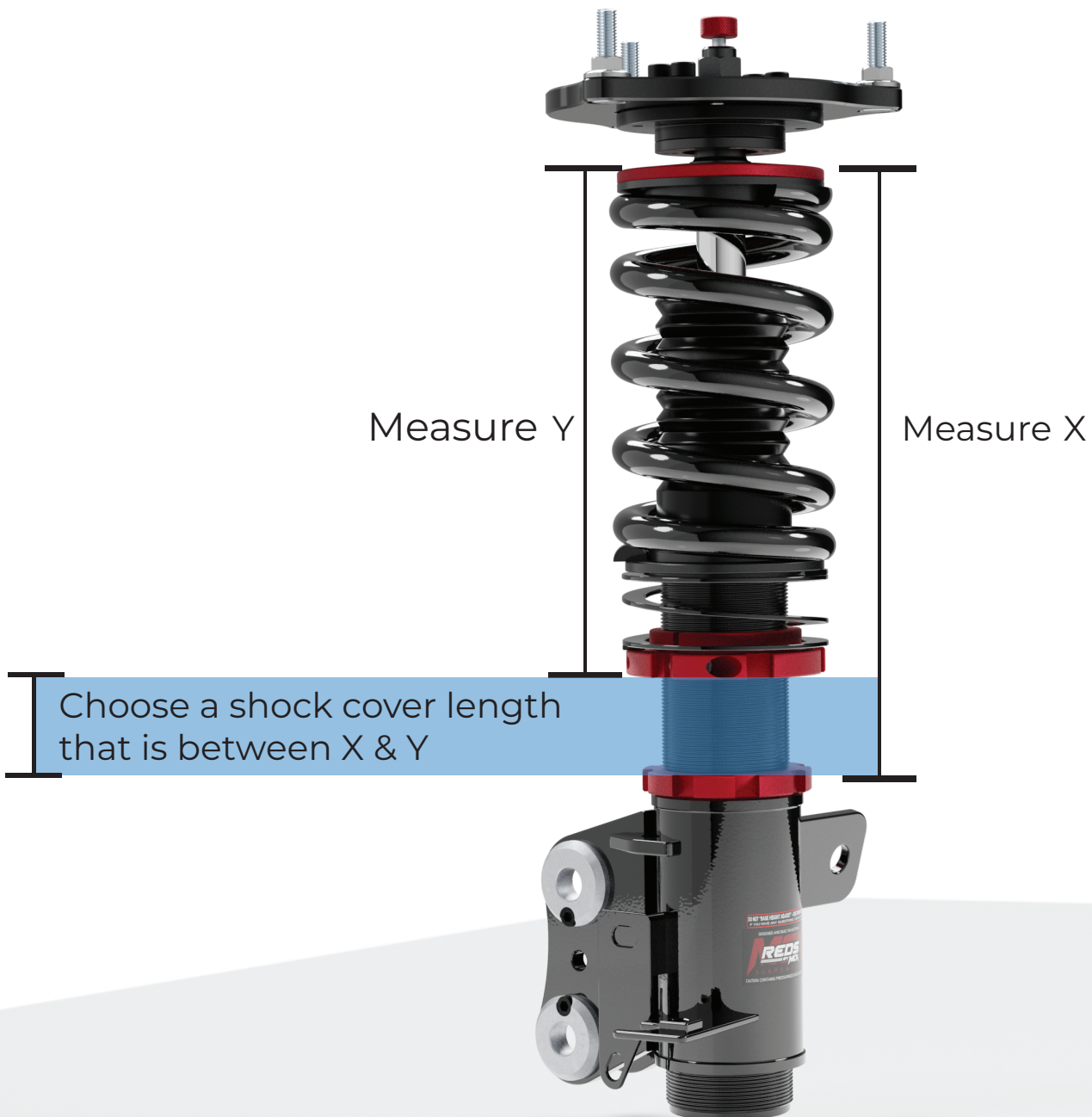
Step 1 - Check to see if the suspension is a coilover type or separate spring and shock. The MCA Shock Covers only work on coilover type suspension as they need to sit over the spring.

Step 2 - Check to see if your spring is a standard spring or if it is a "Bee Hive" spring, a Bee Hive spring will have a wider diameter in the middle like a Bee Hive. The shock covers will only work on a spring that has an even outside diameter from top to bottom.

Step 2.5 - Measure the Outside Diameter of the spring and make sure it is within 80-90mm wide. any larger or smaller and the shock covers will not fit over the spring or will be too loose.

If your suspension is a coilover type and the spring is even width top to bottom continue to step 3.

Step 3 - Measure the length between your bottom spring perch and top of the spring while the wheel is at full droop then measure the top of the spring to the bottom mount locking ring, once you have measured both lengths select a suspension cover length that is in between them, choose the longer option if it fits within X if there are multiple lengths that will fit between the X and Y.



Coilover Type Suspension